



22.5×12.5×19

NG4U

R2133923 E160644

Features

- Can be welded directly onto PCB.
- Used in household appliance like air conditioning , heater and instruments etc.

Ordering Information

NG4U C S 10 DC12V
1 2 3 4 5

1 Part number: NG4U

2 Contact arrangement: A:1A; C:1C

3 Enclosure: S: Sealed type; Z: Dust cover

4 Contact Current: 5A,10A

5 Coil rated Voltage(V): DC:6,12,24

Contact Data

Contact Arrangement	1A (SPSTNO)、1C (SPDT(B-M))	
Contact Material	Ag-CdO AgSnO ₂	
Contact Rating (resistive)	5A,10A/125VAC,28VDC	
Max. Switching Power	280W 1250VA	
Max. Switching Voltage	30VDC 220VAC	Max. Switching Current:10A
Contact Resistance or Voltage drop	≤50mΩ	Item 3.12 of IEC255-7
Operation life	Electrical	10 ⁵ Item 3.30 of IEC255-7
	Mechanical	10 ⁷ Item 3.31 of IEC255-7

Coil Parameter

Dash numbers	Coil voltage VDC		Coil resistance Ω±10%	Pickup voltage VDC(max) (70%of rated voltage)	release voltage VDC(min) (10% of rated voltage)	Coil power consumption W	Operate Time ms	Release Time ms
	Rated	Max.						
006-360	6	7.8	100	4.2	0.6	0.36	<10	<5
012-360	12	15.6	400	8.4	1.2			
024-360	24	31.2	1600	16.8	2.4			

CAUTION: 1.The use of any coil voltage less than the rated coil voltage will compromise the operation of the relay.
2.Pickup and release voltage are for test purposes only and are not to be used as design criteria.

Operation condition

Insulation Resistance	250M Ω min (at 500VDC)	Item 7 of IEC255-5
Dielectric Strength		
Between contacts	50Hz 750V	Item 6 of IEC255-5
Between contact and coil	50Hz 2000V surge voltage 4kV	Item 6 and item 8 of IEC255-5
Shock resistance	100m/s ² 11ms	IEC68-2-27 Test Ea
Vibration resistance	10~55Hz double amplitude 1.5mm	IEC68-2-6 Test Fc
Terminals strength	5N	IEC68-2-21 Test Ua1
Solderability	235°C \pm 2°C 3 \pm 0.5s	IEC68-2-20 Test Ta method 1
Ambient Temperature	-25~70°C	
Relative Humidity	85% (at 40°C)	IEC68-2-3 Test Ca
Mass	8.6g	

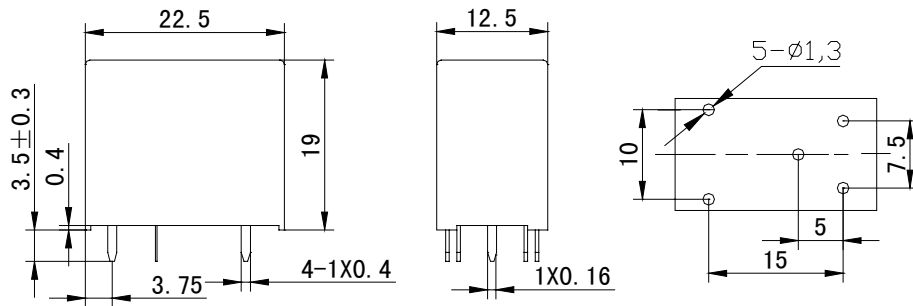
Qualification inspection:

Perform the qualification test as specified in the table IV of IEC255-19-1 and minimum sample size 24.

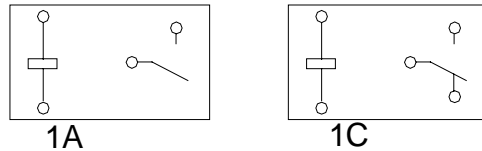
Safety approvals

Safety approval	UL	TüV
Load	10A/125VAC 5A/250VAC	5A/250VAC;28VDC

Dimensions (Unit: mm)



mm	inch
0.16	0.006
0.3	0.012
0.4	0.016
1.0	0.039
1.3	0.051
3.5	0.138
3.75	0.148
5.0	0.197
7.5	0.295
10	0.394
12.5	0.492
15	0.591
19	0.748
22.5	0.886



Wiring diagram
(Bottom views)

NOTES 1).Dimensions are in millimeter.

2).Inch equivalents are given for general information only.